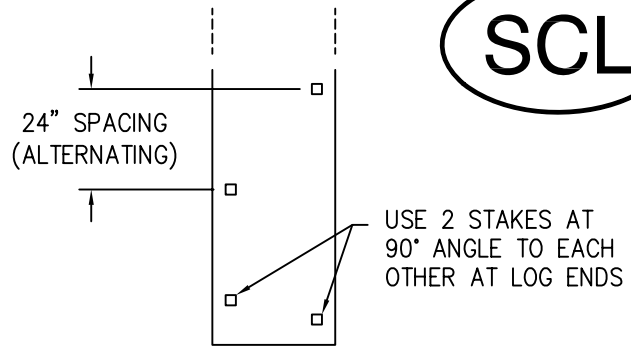
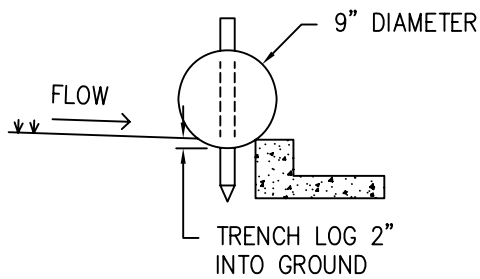


PROFILE VIEW

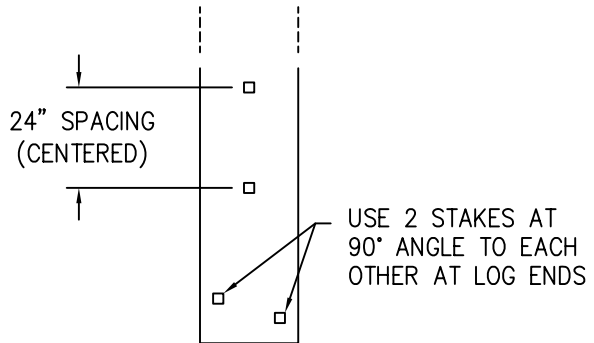


PLAN VIEW

USE 2 STAKES AT 90° ANGLE TO EACH OTHER AT LOG ENDS

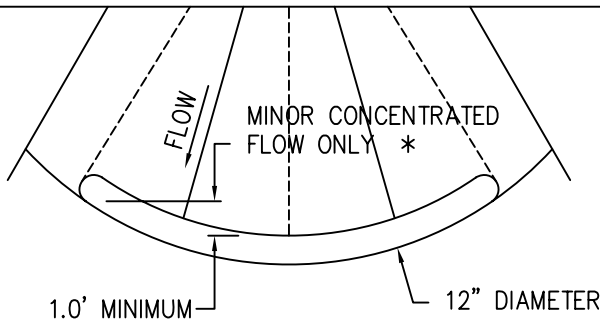


PROFILE VIEW

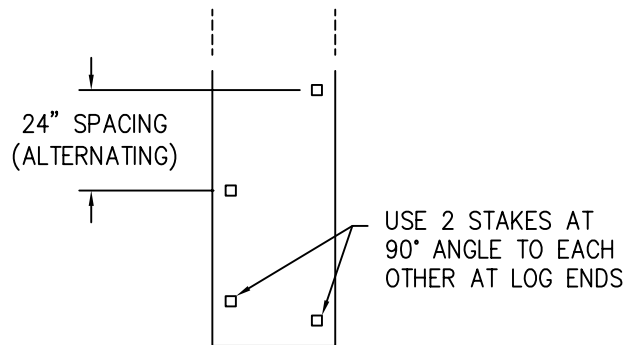


PLAN VIEW

USE 2 STAKES AT 90° ANGLE TO EACH OTHER AT LOG ENDS



PROFILE VIEW



PLAN VIEW

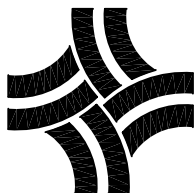
USE 2 STAKES AT 90° ANGLE TO EACH OTHER AT LOG ENDS

\* FOR MAJOR CONCENTRATED FLOWS, USE A ROCK CHECK DAM

NOTES:

1. STAKES SHALL BE 1-1/2" x 1-1/2" x 24" MINIMUM AND EMBEDDED INTO GROUND A MINIMUM OF 12".
2. SEDIMENT CONTROL LOG SHALL BE TRENCHED 2" INTO GROUND.
3. FOR CONTINUOUS CONTROL, ADJACENT SEDIMENT CONTROL LOGS SHALL BE PLACED FIRMLY TOGETHER WITH NO GAPS.
4. SEDIMENT SHALL BE CLEANED/ REMOVED WHEN SEDIMENT DEPTH IS 1/2 THE HEIGHT OF THE SEDIMENT CONTROL LOG.

N.T.S.



CITY OF THORNTON, COLORADO  
STANDARDS & SPECIFICATIONS

SEDIMENT CONTROL LOG

ISSUED: NOV 08

REVISED:

DRAWING NO.  
400-64