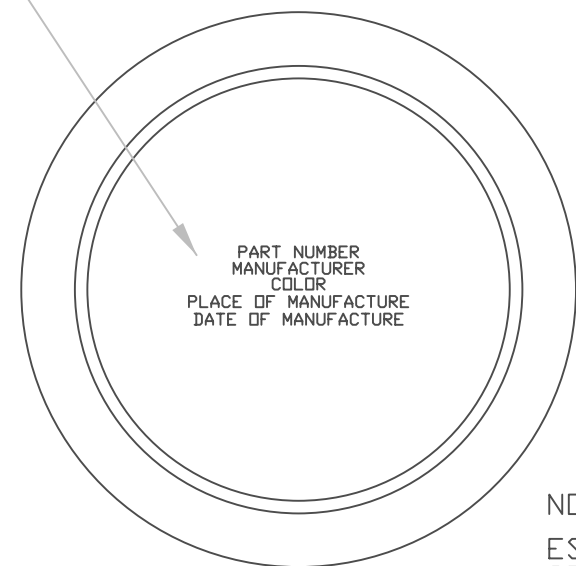
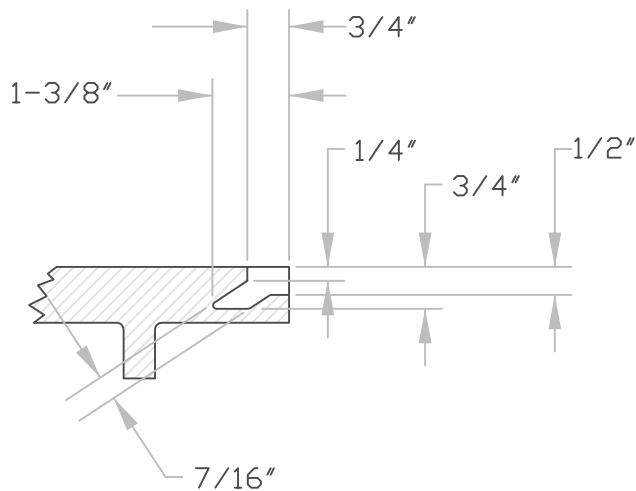


TOP VIEW

OPTIONAL INFORMATION



BOTTOM VIEW

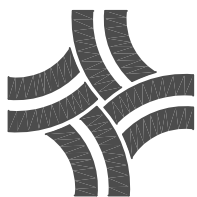


PICKHOLE DETAIL

NOTES:

EST. WT = 112 LBS.  
COVER - GRAY IRON ASTM A48 CL35B  
HEAVY DUTY LOAD RATING.  
MANHOLE TO BE EAST JORDAN IRON WORKS, INC.  
CATALOG NO. 2408A OR APPROVED EQUAL.

N.T.S.



CITY OF THORNTON, COLORADO  
STANDARDS & SPECIFICATIONS

STORM MANHOLE COVER

ISSUED: NOV '05

REVISED:

DRAWING NO.

400-11